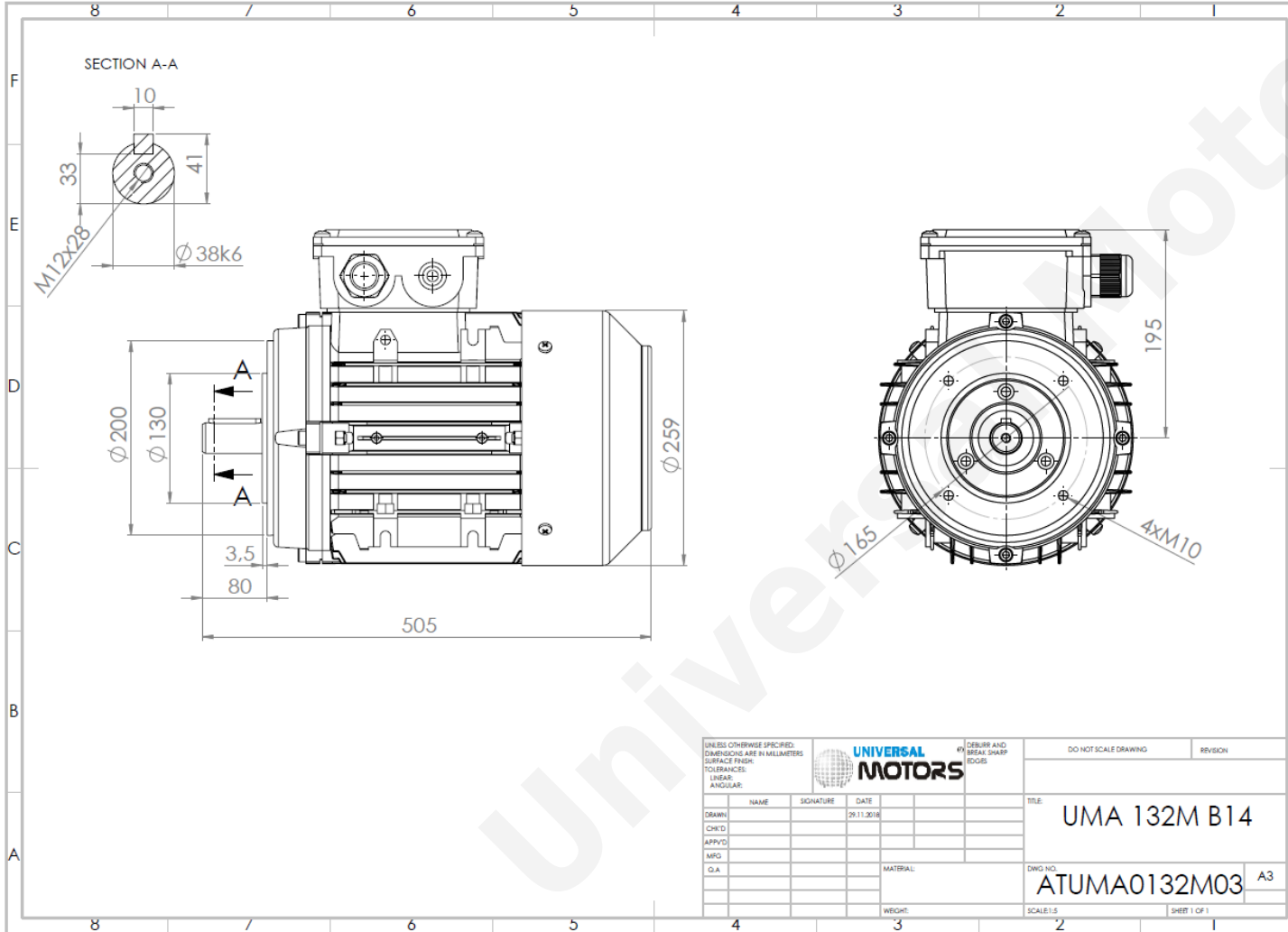




# TECHNICAL DATA

Three Phase Electric Motors - Aluminum Frame  
 UM3A 132M1-2 IE3  
 9.2 kW / 12.5 Cv  
 RPM



|                         |                         |
|-------------------------|-------------------------|
| Motor type:             | <b>UM3A 132M1-2 IE3</b> |
| Output:                 | <b>9.2 kW / 12.5 Cv</b> |
| Frequency:              | <b>50 Hz</b>            |
| Voltage:                | <b>400 V</b>            |
| Current:                | <b>16.1 A</b>           |
| Power factor (Cos Ø):   | <b>0.91</b>             |
| Poles:                  | <b>2</b>                |
| Insulation class:       | <b>F</b>                |
| Temperature rise Class: | <b>B</b>                |
| Efficiency 50%:         | <b>90.5 %</b>           |
| Efficiency 75%:         | <b>91.2 %</b>           |
| Efficiency 100%:        | <b>90.6 %</b>           |
| Torque:                 | <b>30.0 N.m</b>         |
| Tstarting/Tnominal:     | <b>3.2</b>              |
| Istarting/Inominal:     | <b>11.6</b>             |
| Tmaximum/Tnominal:      | <b>4.2</b>              |
| Noise:                  | <b>81 Db(A)</b>         |
| Weight:                 | <b>58.3 Kg</b>          |
| Brake AC:               | <b>AC7</b>              |
| Torque Brake DC:        | <b>80 N.m</b>           |
| Bearing DE:             | <b>6308 2Z</b>          |
| Bearing NDE:            | <b>6308 2Z</b>          |
| Torque Brake AC:        | <b>90 N.m</b>           |
| Brake DC:               | <b>REB-05-16</b>        |

Regime - S1

Altitude - 1000m

Environment Temperature - 40°C

## CONTACTS:

UNIVERSAL MOTORS Tel: +351 252 299 080  
 Rua de São Brás,745 Fax: +351 252 299 089  
 4480-782 VILA DO CONDE Mail: [geral@universalmotors.pt](mailto:geral@universalmotors.pt)

\* References applied only in the UK